

Kollective ECDN and Browser-Based Peering for Microsoft 365

Kollective integrates with Microsoft Teams Live Events & Stream to deliver video in Office 365, keeping employees engaged, boosting productivity and collaboration in the modern workplace. Kollective gives you 100% video delivery, 100% engagement and offloads 99% of bandwidth.



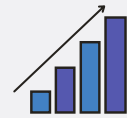
Improve Culture

Create a communication-based culture, with greater trust and transparency to connect leadership with the entire organization.



Increase Engagement

Empower your teams to have greater purpose, alignment and inclusion to achieve company vision.



Maximize Productivity

Enable a faster time-to-market through efficient training, team collaboration, creation of new ideas and employee empowerment.

Scale video without manual intervention

Organizations that deliver a flawless video experience illustrate a commitment to communication and collaboration that employees demand. The intelligent Kollective platform learns how to deliver live or on-demand video streams efficiently, without modification from your network teams. No matter when a video is consumed or shared, bandwidth is automatically preserved.

Benefits for using Kollective For Microsoft Teams

QUALITY - Create a high-quality user experience for Microsoft Teams in the entire organization, communicating to all employees regardless of their location or bandwidth.

SCALE - Achieve greater network efficiency by utilizing your existing network to deliver high-quality video through Microsoft Teams without purchasing additional bandwidth, hardware or jeopardizing core business applications.

INSIGHT - Gain real time visibility and insights on your network performance and user engagement at every endpoint across your organization.



Reach your most remote employees

Executive communication via video is efficient for dispersed organizations. Providing the same high-quality broadcast to everyone in your dispersed organization helps build trust. A clear communication of the corporate vision leaves no room for confusion. With Kollective in place, remote offices can offset 99% of their bandwidth consumption, insuring business critical operations continue while employees watch a CEO townhall.

See and share results easily and quickly

As video communication becomes the norm for large enterprises, teams that create and share those videos need to know what's working. Kollective ECDN for Microsoft Teams Live Events serves dashboards based on an employee's role, so they can easily see the metrics that matter most to them. In just two clicks, content owners can see how their video performs, and network admins can watch a videos impact on the network.

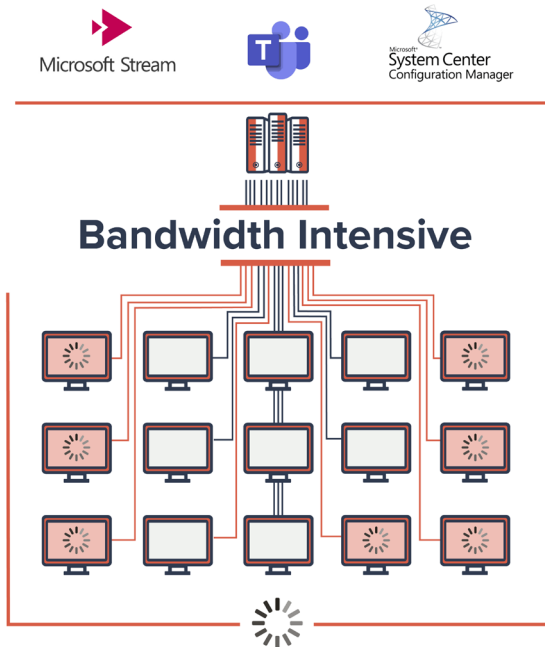
Demo Browser-Based Peering Today

Easily scale Microsoft live events in minutes. Learn more:

<https://portal.kollective.app>

Without Kollective

(Hardware Required)



With Kollective

(Software Defined, No Hardware Required)

